

WURTH ELECTRONICS SMD Inductors



Nidcom

NEW SUPPLIER

Inductors

Wurth Electronics

NEW SUPPLIER

NEW SUPPLIER

NEW SUPPLIER

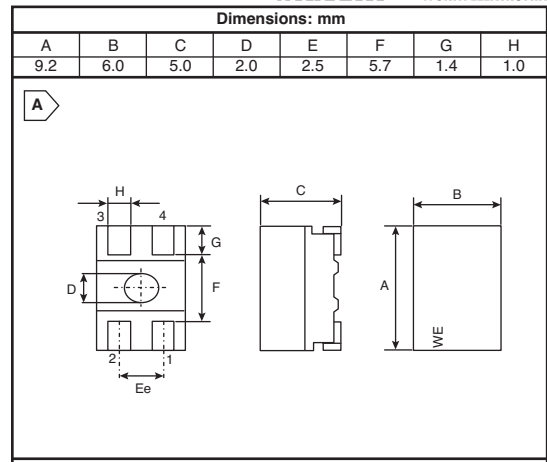
SMD COMMON MODE CHOKES FOR SIGNAL LINES WE-SL2

- Features:**
- For distortion-free removal of noise from transmitted electrical signals
 - Double current-compensated choke
 - Offering a wide bandwidth with the core materials NiZn / MnZn
 - Ambient temperature: -40°C to +85°C
 - Nominal voltage: 80 VDC (42 V AC)
 - UL compliant housing

- Applications:**
- Current compensated choke for data and signal lines
 - Power supply systems
 - Filter for measurement signals

For quantities greater than listed, call for quote.

MOUSER STOCK NO.		Fig.	Inductance (uH)	Tol. (%)	RDC (Ω)	IDC (mA)	Impedance max (Ω)	Price Each			Reel	
Mfr.	Mfr. Part No.							1	25	100	Qty.	Ea.
710-744226	A	2 x 10	30	0.08	1.6	920	3.45	2.87	2.44	1000	1.15	
710-744226S	A	2 x 10	30	0.08	1.6	920	3.45	2.87	2.44	1000	1.15	
710-744228	A	2 x 25	30	0.12	1.0	2800	3.45	2.87	2.44	1000	1.15	
710-744228S	A	2 x 25	30	0.12	1.0	2800	3.45	2.87	2.44	1000	1.15	
710-744225	A	2 x 40	30	0.25	0.9	3100	3.45	2.87	2.44	1000	1.15	
710-744225S	A	2 x 40	30	0.25	0.9	3100	3.45	2.87	2.44	1000	1.15	
710-744227	A	2 x 51	30	0.16	1.0	5500	3.45	2.87	2.44	1000	1.15	
710-744227S	A	2 x 51	30	0.16	1.0	5500	3.45	2.87	2.44	1000	1.15	
710-744224	A	2 x 250	50	0.13	1.2	1800	3.45	2.87	2.44	1000	1.15	
710-744223	A	2 x 500	50	0.15	1.0	3300	3.45	2.87	2.44	1000	1.15	
710-744222	A	2 x 1000	50	0.31	0.8	6000	3.45	2.87	2.44	1000	1.15	
710-744221	A	2 x 2000	50	0.42	0.6	9200	3.45	2.87	2.44	1000	1.15	
710-744220	A	2 x 4700	50	0.75	0.5	20000	3.45	2.87	2.44	1000	1.15	
710-744229	A	2 x 6500	50	0.95	0.4	18400	3.45	2.87	2.44	1000	1.15	



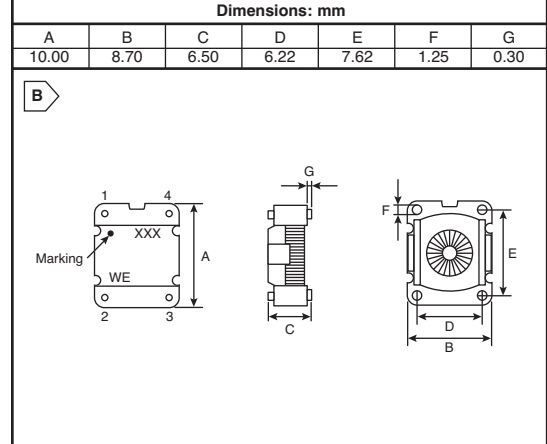
SMD COMMON MODE LINE FILTERS WE-SL5

- Features:**
- Small size
 - Low profile
 - High impedance up to 13000 Ω
 - High current up to 2500 mA
 - Low stray/leakage inductance
 - UL compliant housing (UL 94-V0)
 - Rated voltage 60V

- Applications:**
- USB
 - CAN
 - Firewire
 - Data lines
 - Power lines

For quantities greater than listed, call for quote.

MOUSER STOCK NO.		Fig.	Inductance (uH)	Tol. (%)	RDC (Ω)	IDC (mA)	Impedance max (Ω)	Price Each			Reel	
Mfr.	Mfr. Part No.							1	25	100	Qty.	Ea.
710-744272121	B	2 x 120	40	0.025	2500	460	4.15	3.20	2.94	800	1.38	
710-744272221	B	2 x 220	40	0.032	2200	780	4.15	3.20	2.94	800	1.38	
710-744272251	B	2 x 250	40	0.035	2000	970	4.15	3.20	2.94	800	1.38	
710-744272471	B	2 x 470	40	0.065	1600	1750	4.15	3.20	2.94	800	1.38	
710-744272102	B	2 x 1000	40	0.18	950	3600	4.15	3.20	2.94	800	1.38	
710-744272222	B	2 x 2200	40	0.3	750	7500	4.15	3.20	2.94	800	1.38	
710-744272332	B	2 x 3300	40	0.36	650	8900	4.15	3.20	2.94	800	1.38	
710-744272392	B	2 x 3900	40	0.54	520	9600	4.15	3.20	2.94	800	1.38	
710-744272472	B	2 x 4700	40	0.72	350	13000	4.15	3.20	2.94	800	1.38	



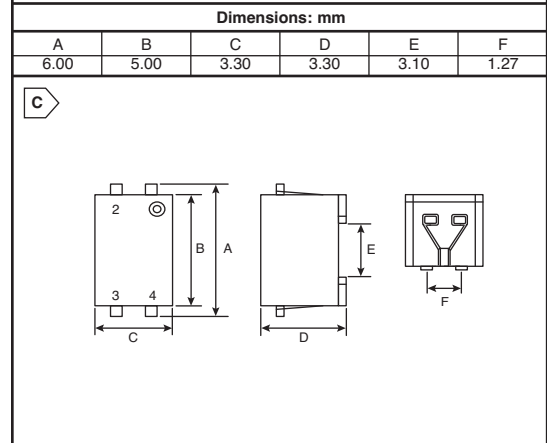
SMD COMMON MODE LINE FILTERS WE-SLM

- Features:**
- Small size
 - High current up to 300 mA
 - Nominal voltage: 80V DC (42V AC)
 - Operating temperature: -40°C to +125°C
 - Recommended soldering profile: Reflow

- Applications:**
- USB
 - CAN
 - Firewire
 - Data lines
 - Filter for measurement signals
 - Power supplies

For quantities greater than listed, call for quote.

MOUSER STOCK NO.		Fig.	Inductance (uH)	Tol. (%)	RDC (Ω)	IDC (mA)	Impedance max (Ω)	Price Each			Reel	
Mfr.	Mfr. Part No.							1	25	100	Qty.	Ea.
710-744242110	C	11	+50/-30	0.18	300	800	2.48	2.06	1.82	500	1.47	
710-744242220	C	22	+50/-30	0.23	300	1500	2.48	2.06	1.82	500	1.47	
710-744242330	C	33	+50/-30	0.27	300	2000	2.48	2.06	1.82	500	1.47	
710-744242510	C	51	+50/-30	0.32	300	2500	2.48	2.06	1.82	500	1.47	
710-744242101	C	100	+50/-30	0.58	300	4000	2.48	2.06	1.82	500	1.47	
710-744242471	C	470	+50/-30	0.35	400	2200	2.48	2.06	1.82	500	1.47	



DESIGN KITS

For quantities greater than listed, call for quote.

MOUSER STOCK NO.	Wurth Electronics Part No.	Fig.	Description	Price Each
710-744728	744728	D	Assortment of SMD Power Chokes--Texas Instruments 5 different types, 35 values, and 176 components	60.00
710-744727	744727	D	Assortment of SMD power inductors--STMicroelectronics 12 different types, 35 values, and 266 components	60.00
710-744729	744729	D	Lab assortment--Fairchild Semiconductor	60.00
710-744725	744725	D	Common mode chokes WE-CNSW and WE-SL/SL1/LS2/SL3/SI5 7 different types, 35 values, and 425 components	200.00
710-744062	744062	D	Assortment of SMD Inductors--WE-TPC, large size	130.00
710-744043	744043	D	Assortment of SMD Inductors--WE-TPC, medium size	130.00
710-744028	744028	D	Assortment of SMD Inductors--WE-TPC, small size	130.00



SMD Inductors Medium size shown

