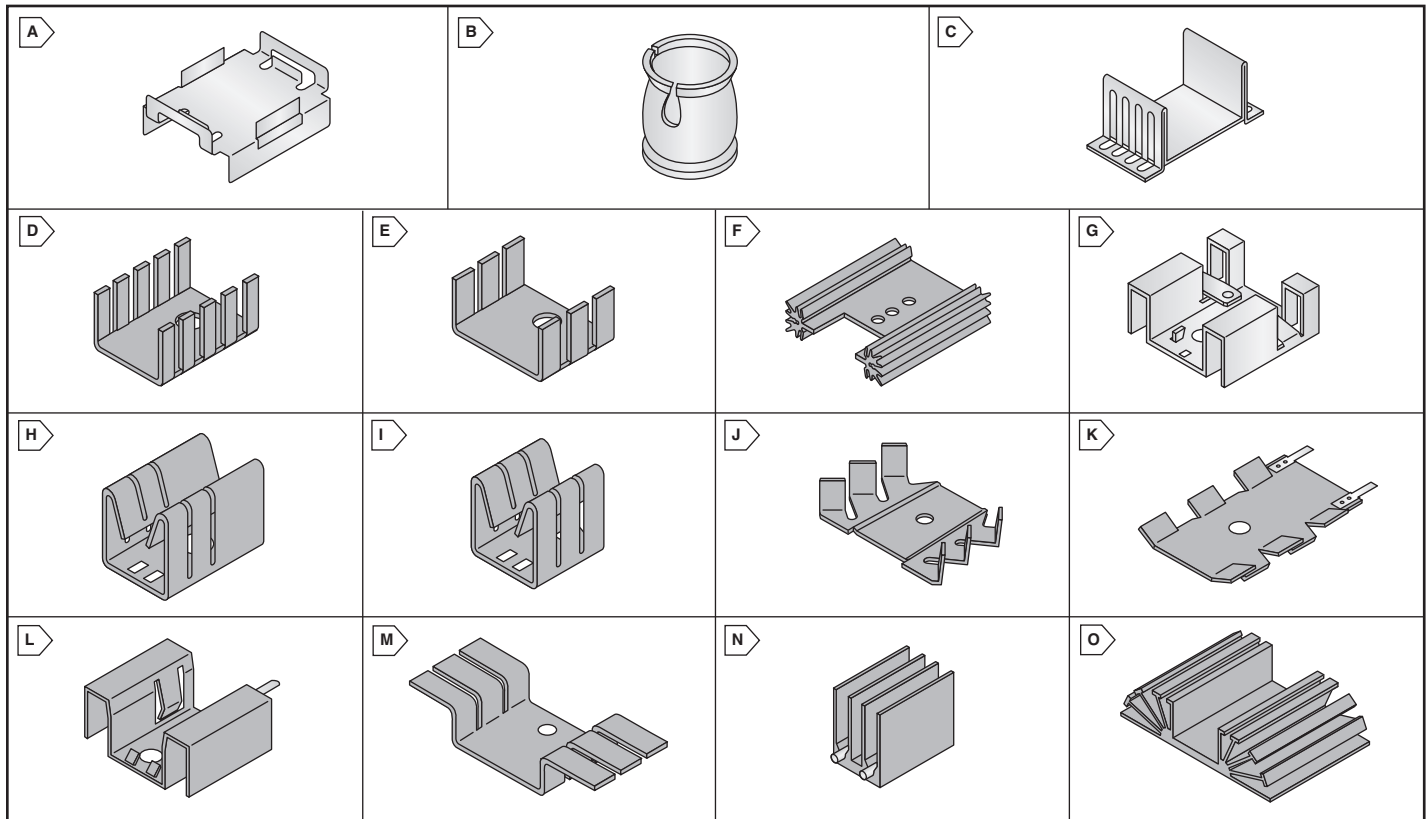


# WAKEFIELD Heat Sinks



## BOARD LEVEL POWER SEMICONDUCTOR HEAT SINKS

For quantities of 500 and up, call for quote.

| MOUSER STOCK NO.  | Wakefield Part No. | Fig. | Description  | Package                        | Natural Convection | Dimensions: in. L x W x H | Price Each |       |      |
|-------------------|--------------------|------|--|--------------------------------|--------------------|---------------------------|------------|-------|------|
|                   |                    |      |  |                                |                    |                           | 1          | 10    | 100  |
| 567-217-36CT6     | 217-36CT6          | A    | Surface Mount 2  | D Pak, TO-220, SOL-20, SOT-223 | 55°C @ 1W          | .74 x .60 x .36           | .33        | .31   | .29  |
| 567-260-4T5E      | 260-4T5E           | B    | Cup Clips, Epoxy Insulated                               | TO-5                           | -                  | .370 x .380               | 11.01      | 10.46 | 9.94 |
| 567-218-40CT3     | 218-40CT3          | C    | Surface Mount Device Heat Sink                           | SMT Devices                    | 52°C rise @ 2W     | .90 x .315 x .40          | .73        | .58   | .49  |
| 567-206-1PABH     | 206-1PABH          | D    | Vertical Mount Heat Sink                                 | TO-220                         | 56°C rise @ 4W     | 1.0 x .50 x 1.18          | .90        | .72   | .61  |
| 567-240-118ABH-22 | 240-118ABH-22      | D    | Labor-Saving Twisted Fin                                 | TO-220                         | 55°C @ 4W          | 1.0 x .50 x 1.18          | .70        | .56   | .48  |
| 567-273-AB        | 273-AB             | D    | Low-Cost, Low-Height Wavesolderable                      | TO-218, TO-220                 | 49°C @ 2W          | .75 x .375 x .75          | .38        | .30   | .26  |
| 567-274-1AB       | 274-1AB            | D    | Low-Cost, Low-Height Wavesolderable                      | TO-220                         | 56°C @ 2W          | .52 x .375 x .75          | .25        | .20   | .17  |
| 567-286-DB        | 286-DB             | D    | Vertical Mount Heat Sink                                 | TO-220                         | 65°C rise @ 4W     | 1.00 x .50 x .95          | 2.20       | 1.98  | 1.88 |
| 567-287-1ABE      | 287-1ABE           | D    | Low-Cost Wave-Solderable                                 | TO-220                         | 56°C @ 4W          | 1.0 x .50 x 1.18          | 1.08       | .92   | .86  |
| 567-290-1AB       | 290-1AB            | D    | Low-Cost Single Package                                  | TO-218 TO-202 TO-220           | 44°C @ 2W          | 1.0 x .50 x 1.18          | .38        | .30   | .26  |
| 567-290-2AB       | 290-2AB            | D    | Low-Cost Dual Package                                    | TO-218 TO-202 TO-220           | 44°C @ 2W          | 1.0 x .50 x 1.18          | .38        | .30   | .26  |
| 567-289-AB        | 289-AB             | E    | Low-Cost Single Package                                  | TO-218 TO-202 TO-220           | 506°C @ 2W         | 1.0 x .50 x .71           | .28        | .22   | .19  |
| 567-637-10ABP     | 637-10ABP          | F    | High-Efficiency, Vertical Board Mounting                 | TO-220                         | 76°C @ 6W          | 1.38 x .50 x 1.0          | 1.20       | 1.14  | 1.08 |
| 567-637-15ABP     | 637-15ABP          | F    | High-Efficiency, Vertical Board Mounting                 | TO-220                         | 65°C @ 6W          | 1.38 x .50 x 1.5          | 1.57       | 1.27  | 1.09 |
| 567-637-20ABP     | 637-20ABP          | F    | High-Efficiency, Vertical Board Mounting                 | TO-220                         | 55°C @ 6W          | 1.38 x .50 x 2.0          | 1.46       | 1.39  | 1.32 |
| 567-647-10ABP     | 647-10ABP          | F    | High-Performance, Vertical Board Mounting                | TO-220                         | 42°C @ 6W          | 1.65 x 1.0 x 1.0          | 1.39       | 1.31  | 1.28 |
| 567-647-15ABP     | 647-15ABP          | F    | High-Performance, Vertical Board Mounting                | TO-220                         | 37°C @ 6W          | 1.65 x 1.0 x 1.5          | 1.53       | 1.45  | 1.38 |
| 567-657-15ABP     | 657-15ABP          | F    | High-Performance, Vertical Board Mounting                | TO-220                         | 38°C @ 6W          | 1.65 x 1.0 x 1.5          | 1.40       | 1.12  | .95  |
| 567-657-15ABPN    | 657-15ABPN         | F    | High-Performance Notched, Vertical Board Mounting        | TO-218 TO-220 TO-247           | 38°C @ 6W          | 1.65 x 1.0 x 1.5          | 2.40       | 1.70  | 1.20 |
| 567-657-20ABP     | 657-20ABP          | F    | High-Performance, Vertical Board Mounting                | TO-218 TO-220 TO-247           | 32°C @ 6W          | 1.65 x 1.0 x 2.0          | 1.85       | 1.50  | 1.29 |
| 567-667-10ABPP    | 667-10ABPP         | F    | 15-Lead High Performance Vertical Board Mounting         | TO-218 TO-220 TO-247           | 76°C @ 6W          | 1.375 x .50 x 1.0         | 1.71       | 1.62  | 1.54 |
| 567-677-20ABP     | 677-20ABP          | F    | 15-Lead Multiwatt High-Perf., High-Power, Vertical Mount | TO-218 TO-220 TO-247           | 40°C @ 6W          | 1.65 x 1.0 x 1.0          | 2.78       | 2.22  | 1.89 |
| 567-235-85AB      | 235-85AB           | G    | Compact, Stress-Free Labor-Saving Locking-Tab            | TO-220                         | 40°C @ 6W          | 1.65 x 1.0 x 2.0          | .65        | .48   | .34  |
| 567-230-75AB      | 230-75AB           | H    | Compact, Wavesolderable Low-Profile Self-Locking         | TO-220                         | 57°C @ 2W          | 1.0 x .50 x .85           | .35        | .30   | .26  |
| 567-233-60AB      | 233-60AB           | I    | Self-Locking Wavesolderable                              | TO-220                         | 58°C @ 2W          | .57 x .50 x .75           | .43        | .34   | .29  |
| 567-274-2AB       | 274-2AB            | I    | Low-Cost, Low-Height Wavesolderable                      | TO-220                         | 50°C @ 2W          | .75 x .50 x .53           | .25        | .20   | .17  |
| 567-291-H36AB     | 291-H36AB          | J    | Labor-Saving Clip-on                                     | TO-220                         | 68°C @ 2W          | .80 x .27 x .80           | .50        | .40   | .34  |
| 567-288-1AB       | 288-1AB            | K    | Compact Wave-Solderable Low-Cost                         | TO-202 TO-220                  | 85°C @ 4W          | 1.1 x .36 x .86           | .98        | .78   | .66  |
| 567-239-75-AB04   | 239-75-AB04        | L    | Snap-Down Self-Locking with Tab                          | TO-220                         | 38°C @ 2W          | .875 x .215 x 1.25        | .58        | .48   | .42  |
| 567-270-AB        | 270-AB             | M    | Small Footprint Low-Cost                                 | TO-202 TO-220                  | 70°C @ 4W          | 1.12 x .435 x .75         | .28        | .22   | .19  |
| 567-272-AB        | 272-AB             | M    | Small Footprint Low-Cost                                 | TO-202 TO-220                  | 42°C @ 4W          | 1.75 x .375 x .70         | .45        | .36   | .31  |
| 567-271-AB        | 271-AB             | M    | Top-Mount Booster 270/272/280 Series                     | TO-220                         | 62°C @ 4W          | 1.75 x .375 x 1.45        | .30        | .24   | .20  |
| 567-634-10ABP     | 634-10ABP          | N    | Slim Profile Unidirectional Fin Vertical Mount           | TO-218 TO-220                  | -                  | .64 x .64 x 1.0           | 1.39       | 1.31  | 1.25 |
| 567-641-A         | 641-A              | O    | Maximum Performance, Mounting Holes                      | TO-3                           | 36°C @ 15W         | 4.13 x 3.0 x 1.0          | 10.02      | 9.52  | 9.04 |
| 567-641-K         | 641-K              | O    | Maximum Performance Convection                           | TO-3                           | 36°C @ 15W         | 4.13 x 3.0 x 1.0          | 10.02      | 9.52  | 9.04 |

