

EBM-PAPST Tubeaxial DC Fans



3200JH3 SERIES

Features:

- Plastic housing and impeller
- Termination: 12.2" leads
- Air exhaust over struts
- Clockwise rotation looking at rotor
- Mounting holes: 4.3mm



For quantities 100 and up, call for quote.

| MOUSER STOCK NO. | | Fig. | Dimensions (mm) L x W | Volt. (DC) | Airflow (CFM) | Power (W) | Speed (RPM) | Noise dB(A) | Max Temp. (°C) | Bearing Type | Price Each | | | |
|------------------|---------------|------|-----------------------|------------|---------------|-----------|-------------|-------------|----------------|--------------|------------|-------|-------|-------|
| Mfr. | Mfr. Part No. | | | | | | | | | | 1 | 10 | 25 | 50 |
| 5912 | 3212JN | A | 92 x 38 | 12 | 76.5 | 7.5 | 6000 | 51 | 70 | Ball | 45.97 | 41.00 | 39.76 | 37.77 |
| 5912 | 3214JN | A | 92 x 38 | 24 | 76.5 | 8 | 6000 | 51 | 70 | Ball | 41.79 | 39.76 | 37.77 | 35.29 |
| 5912 | 3214JH3 | A | 92 x 38 | 24 | 135.4 | 29 | 10500 | 66 | 55 | Ball | 52.50 | 46.15 | 43.22 | 41.08 |
| 5912 | 3218JN | A | 92 x 38 | 48 | 76.5 | 7 | 6000 | 51 | 70 | Ball | 46.35 | 46.15 | 43.22 | 41.08 |
| 5912 | 3218JH3 | A | 92 x 38 | 48 | 135.4 | 29 | 10500 | 66 | 55 | Ball | 52.50 | 46.15 | 43.22 | 41.08 |
| 5912 | 3212J/2H4 | A | 92 x 38 | 12 | 165 | 50 | 13000 | 73 | 70 | Ball | 67.40 | 57.29 | 53.92 | 51.22 |
| 5912 | 3214J/2H4 | A | 92 x 38 | 24 | 165 | 50 | 13000 | 73 | 70 | Ball | 67.40 | 57.29 | 53.92 | 51.22 |
| 5912 | 3218J/2H4 | A | 92 x 38 | 48 | 165 | 50 | 13000 | 73 | 70 | Ball | 67.40 | 57.29 | 53.92 | 51.22 |

4200 SERIES

Features:

- Plastic housing and impeller
- Termination: 12.2" leads
- Air exhaust over struts
- Counterclockwise rotation looking at rotor
- Mounting holes: 4.3mm



Recommended Manufacturer's Accessories:

- Plastic Finger Guard: LZ30-5, LZ30P
- Screen/Bracket: LZ40N and LZ40-1
- Metal Mesh Filter: LZ60
- Mounting Screw Clip: LZ210
- Plug and Cord Set: LZ120 or LZ126

For quantities 100 and up, call for quote.

| | | | | | | | | | | | | | | |
|------|-------|---|----------|----|-------|-----|------|----|----|------|-------|-------|-------|-------|
| 5912 | 4212L | B | 119 x 38 | 12 | 50.6 | 1.2 | 1600 | 29 | 75 | Ball | 37.21 | 36.08 | 34.28 | 32.02 |
| 5912 | 4212 | B | 119 x 38 | 12 | 97 | 4.3 | 3050 | 45 | 75 | Ball | 37.21 | 36.08 | 34.28 | 32.02 |
| 5912 | 4214 | B | 119 x 38 | 24 | 97 | 4.3 | 3050 | 45 | 75 | Ball | 37.21 | 36.08 | 34.28 | 32.02 |
| 5912 | 4212H | B | 119 x 38 | 12 | 108.3 | 5.3 | 3400 | 49 | 65 | Ball | 37.91 | 36.08 | 34.28 | 32.02 |
| 5912 | 4214H | B | 119 x 38 | 24 | 108.3 | 5.3 | 3400 | 49 | 65 | Ball | 37.91 | 36.08 | 34.28 | 32.02 |

4100N SERIES

Features:

- Metal housing and plastic impeller
- Termination: 0.011" terminals
- Air exhaust over struts
- Clockwise rotation looking at rotor
- Mounting holes: 4.3mm



Recommended Manufacturer's Accessories:

- Plastic Finger Guard: LZ30-5, LZ30P
- Metal Mesh Filter: LZ60
- Metal Finger Guard: LZ30
- Screen/Bracket: LZ40N and LZ40-1
- Mounting Screw Clip: LZ210
- Plug and Cord Set: LZ120 or LZ126

For quantities 100 and up, call for quote.

| | | | | | | | | | | | | | | |
|------|---------|---|----------|----|------|------|------|----|----|--------|-------|-------|-------|-------|
| 5912 | 4182NX | B | 119 x 38 | 12 | 106 | 4.5 | 3200 | 49 | 75 | Ball | 46.10 | 44.00 | 41.80 | 39.05 |
| 5912 | 4182NGX | B | 119 x 38 | 12 | 94.2 | 3.5 | 3400 | 44 | 75 | Sintec | 41.48 | 38.51 | 36.54 | 32.59 |
| 5912 | 4184NX | B | 119 x 38 | 24 | 106 | 4.5 | 3200 | 49 | 75 | Ball | 47.67 | 45.44 | 43.17 | 40.33 |
| 5912 | 4184NGX | B | 119 x 38 | 24 | 94.2 | 3.5 | 3400 | 44 | 75 | Sintec | 42.37 | 41.15 | 39.04 | 34.82 |
| 5912 | 4184NXH | B | 119 x 38 | 24 | 139 | 11.0 | 4400 | 59 | 55 | Ball | 51.15 | 49.60 | 47.12 | 44.02 |

High Performance Models

| | | | | | | | | | | | | | | |
|------|------------|---|----------|----|-------|------|-------|----|----|------|--------|--------|--------|--------|
| 5912 | 4112NHH | B | 119 x 38 | 12 | 152.9 | 15.5 | 5000 | 60 | 65 | Ball | 67.31 | 66.08 | 60.07 | 54.06 |
| 5912 | 4112NH3 | B | 119 x 38 | 12 | 182.4 | 19.5 | 6000 | 65 | 65 | Ball | 67.31 | 66.08 | 60.07 | 54.06 |
| 5912 | 4112NH4 | B | 119 x 38 | 12 | 208.9 | 32.0 | 6800 | 67 | 65 | Ball | 72.09 | 66.08 | 60.07 | 54.06 |
| 5912 | 4114NHH | B | 119 x 38 | 24 | 152.9 | 15.5 | 5000 | 60 | 65 | Ball | 67.31 | 66.08 | 60.07 | 54.06 |
| 5912 | 4114NH3 | B | 119 x 38 | 24 | 182.4 | 19.5 | 6000 | 65 | 65 | Ball | 67.31 | 66.08 | 60.07 | 54.06 |
| 5912 | 4114NH4 | B | 119 x 38 | 24 | 208.9 | 30.0 | 6800 | 67 | 65 | Ball | 72.09 | 66.08 | 60.07 | 54.06 |
| 5912 | 4114NH5 | B | 119 x 38 | 24 | 229.5 | 45.0 | 7500 | 70 | 65 | Ball | 72.09 | 66.08 | 60.07 | 54.06 |
| 5912 | 4114NH6 | B | 119 x 38 | 24 | 259.0 | 60.0 | 8400 | 73 | 65 | Ball | 74.70 | 68.06 | 62.85 | 58.91 |
| 5912 | 4118NHH | B | 119 x 38 | 48 | 152.9 | 15.5 | 5000 | 60 | 65 | Ball | 67.31 | 66.08 | 60.07 | 54.06 |
| 5912 | 4118NH3 | B | 119 x 38 | 48 | 182.4 | 19.5 | 6000 | 65 | 65 | Ball | 67.31 | 66.08 | 60.07 | 54.06 |
| 5912 | 4118NH4 | B | 119 x 38 | 48 | 208.9 | 28.0 | 6800 | 67 | 65 | Ball | 72.09 | 66.08 | 60.07 | 54.06 |
| 5912 | 4118NH5 | B | 119 x 38 | 48 | 229.5 | 42.0 | 7500 | 70 | 65 | Ball | 72.09 | 66.08 | 60.07 | 54.06 |
| 5912 | 4118NH6 | B | 119 x 38 | 48 | 259.0 | 55.0 | 8400 | 73 | 65 | Ball | 74.70 | 68.06 | 62.85 | 58.91 |
| 5912 | 4118N/2H7P | B | 119 x 38 | 48 | 294 | 90 | 9500 | 76 | 75 | Ball | 121.19 | 117.52 | 111.64 | 104.30 |
| 5912 | 4118N/2H8P | B | 119 x 38 | 48 | 336 | 120 | 11000 | 78 | 75 | Ball | 121.19 | 117.52 | 111.64 | 104.30 |

5200 SERIES

Features:

- Plastic housing and impeller
- Termination: 12.2" leads
- Air exhaust over struts
- Counterclockwise rotation looking at rotor
- Mounting holes: 4.3mm



For quantities 100 and up, call for quote.

| | | | | | | | | | | | | | | |
|------|--------|---|----------|----|-----|-----|------|----|----|------|-------|-------|-------|-------|
| 5912 | 5214NM | B | 127 x 38 | 24 | 110 | 4.6 | 2750 | 43 | 75 | Ball | 43.07 | 41.76 | 39.67 | 37.06 |
| 5912 | 5214NH | B | 127 x 38 | 24 | 148 | 9.8 | 3650 | 51 | 70 | Ball | 57.80 | 52.16 | 48.65 | 43.19 |

6200N SERIES

Features:

- Metal housing and plastic impeller
- Termination: 0.118" terminals
- Counterclockwise rotation looking at rotor
- Air exhaust over struts
- Mounting holes: 4.3mm



Recommended Manufacturer's Accessories:

- Plug and Cord Set: LZ120 or LZ126



For quantities 50 and up, call for quote.

| | | | | | | | | | | | | | | |
|------|--------|---|----------|----|-------|------|------|----|----|------|--------|-------|-------|-------|
| 5912 | 6224N | C | 172 x 51 | 24 | 241 | 18.0 | 3400 | 55 | 72 | Ball | 75.24 | 72.96 | 69.31 | 64.75 |
| 5912 | 6224NM | C | 172 x 51 | 24 | 206 | 18.0 | 2850 | 50 | 72 | Ball | 76.65 | 72.96 | 69.31 | 64.75 |
| 5912 | 6224NU | C | 172 x 51 | 24 | 241.3 | 18.0 | 3400 | 55 | 72 | Ball | 102.60 | 94.05 | 85.50 | 76.95 |
| 5912 | 6248N | C | 172 x 51 | 48 | 241.3 | 11.5 | 3400 | 55 | 72 | Ball | 76.65 | 72.96 | 69.31 | 64.75 |

5100N SERIES

Features:

- Electronically commutated external rotor motor
- Fully integrated commutation electronics
- Electronic protection against reverse polarity and blocking
- Counterclockwise rotation looking at rotor
- Metal fan housing and impeller
- Mounting holes: 4.3mm
- Air exhaust over struts

Recommended Manufacturer's Accessories:

- Metal Finger Guard: LZ25
- Mounting Screw Clip: LZ210
- Plug and Cord Set: LZ120 or LZ126



For quantities 100 and up, call for quote.

| | | | | | | | | | | | | | | |
|------|-------|---|----------|----|-------|-----|------|----|----|------|-------|-------|-------|-------|
| 5912 | 5114N | D | 135 x 38 | 24 | 147.1 | 9.5 | 2900 | 48 | 72 | Ball | 76.89 | 74.18 | 69.30 | 65.88 |
| 5912 | 5118N | D | 135 x 38 | 48 | 147.1 | 9.5 | 2900 | 48 | 72 | Ball | 76.89 | 74.18 | 69.30 | 65.88 |

5300 SERIES

Features:

- Electronically commutated external rotor motor
- Fully integrated commutation electronics
- Electronic protection against reverse polarity and blocking
- Mounting holes: 4.3mm
- Air exhaust over struts
- Counterclockwise rotation looking at rotor



- Fiberglass reinforced plastic fan
- PBTP housing
- PA impeller



For quantities 100 and up, call for quote.

| | | | | | | | | | | | | | | |
|------|-------------|---|----------------|----|-------|-----|------|----|----|------|--------|--------|--------|--------|
| 5912 | 5314/2TDHP | E | 140 x 140 x 51 | 24 | 241.3 | 41 | 6000 | 70 | 70 | Ball | 145.45 | 141.04 | 133.90 | 125.17 |
| 5912 | 5318/2TDHP | E | 140 x 140 x 51 | 48 | 241.3 | 41 | 6000 | 70 | 70 | Ball | 145.45 | 141.04 | 133.90 | 125.17 |
| 5912 | 5318/2TDH4P | E | 140 x 140 x 51 | 48 | 394.3 | 144 | 9200 | 79 | 5 | Ball | 179.27 | 173.84 | 165.15 | 154.28 |

7100N SERIES

Features:

- Electronically commutated external rotor motor
- Fully integrated commutation electronics
- Electronic protection against reverse polarity and blocking
- Counterclockwise rotation looking at rotor
- Metal fan housing and impeller
- Mounting holes: 4.3mm
- Air exhaust over struts

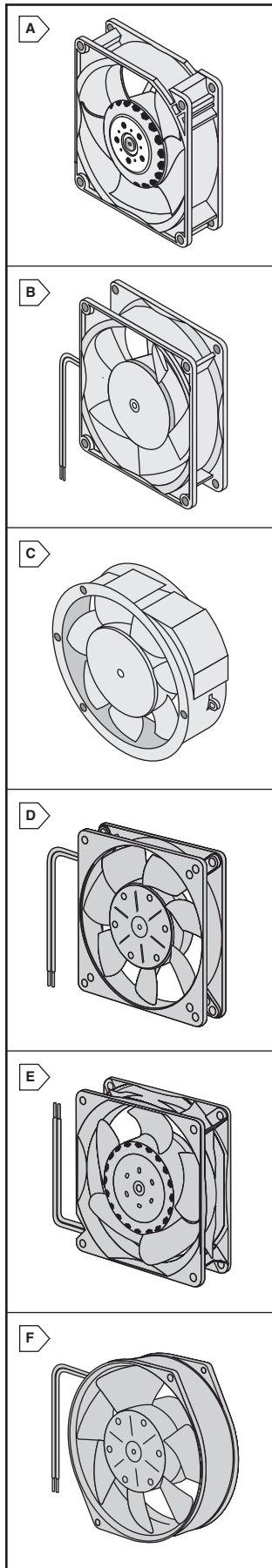
Recommended Manufacturer's Accessories:

- Metal Finger Guard: LZ24
- Mounting Screw Clip: LZ210



For quantities 100 and up, call for quote.

| | | | | | | | | | | | | | | |
|------|-------|---|----------|----|-------|------|------|----|----|------|--------|--------|-------|-------|
| 5912 | 7112N | F | 150 x 38 | 12 | 211.9 | 12.0 | 2850 | 55 | 72 | Ball | 106.37 | 101.28 | 96.22 | 89.89 |
| 5912 | 7114N | F | 150 x 38 | 24 | 211.9 | 12.0 | 2850 | 55 | 72 | Ball | 90.55 | 82.45 | 75.18 | 67.90 |



ebm-papst

Fans