

# BOURNS Modular Contacts



Reliable Electronic Solutions

Bourns Modular Contacts can be used in cellular telephones, PDAs, laptop computers, portable medical and test equipment and anywhere a rechargeable battery pack is required. Bourns Modular Contacts provide a spring-loaded wiping contact connector for many other non-battery related applications.

**Common Features:**

- Types Available: Male and Female Contacts
- Function: Rechargeable battery packs, portable electronics and other contact application
- Sizes: 2.54mm, 4.0mm pitch and height

## 70AA / MALE

**Material:**

- Insulator: Glass reinforced thermoplastic, UL 94V-0 rated, black
- Contact: Copper alloy

**Features:**

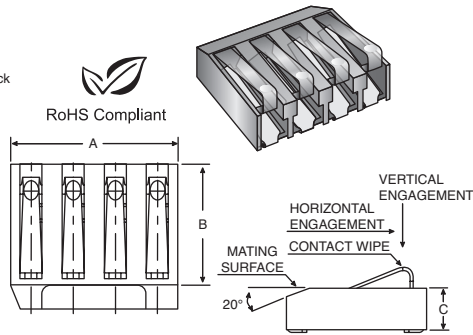
- 2 to 6 precious metal contacts
- End-to-end stackable
- Pick and place compatible
- High cycle life

**Electrical Specifications:**

- Current rating: 3A/contact
- Voltage: 60V

**Mechanical Specifications:**

- Normal Force: 80 grams min.
- Durability: 10,000 cycles min.



For quantities greater than listed, call for quote.

| MOUSER STOCK NO. | No. of Contacts | Mounting Type | Dimensions: mm |      |      | Price Each |      |      |
|------------------|-----------------|---------------|----------------|------|------|------------|------|------|
|                  |                 |               | A              | B    | C    | 1          | 10   | 50   |
| 652-70AAJ-2-M0   | 2               | SMD           | 5.00           | 7.09 | 2.54 | .88        | .79  | .70  |
| 652-70AAJ-3-M0   | 3               | SMD           | 7.54           | 7.09 | 2.54 | 1.13       | 1.01 | .90  |
| 652-70AAJ-4-M0   | 4               | SMD           | 10.20          | 7.09 | 2.54 | 1.38       | 1.24 | 1.10 |
| 652-70AAJ-5-M0   | 5               | SMD           | 12.62          | 7.09 | 2.54 | 1.75       | 1.58 | 1.40 |
| 652-70AAJ-6-M0   | 6               | SMD           | 15.16          | 7.09 | 2.54 | 2.13       | 1.91 | 1.70 |

## 70AA / FEMALE

**Features:**

- 2 to 6 precious metal contacts
- End-to-end stackable
- Pick and place compatible
- High cycle life

**Material:**

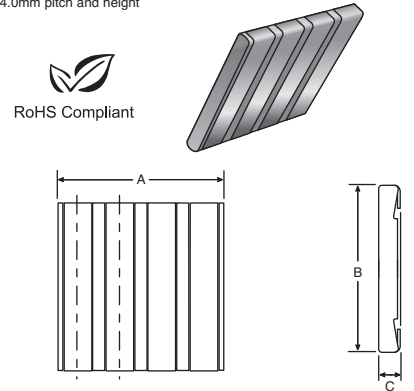
- Insulator: Glass reinforced thermoplastic, UL 94V-0 rated, black
- Contact: Copper alloy

**Electrical Specifications:**

- Current rating: 3A/contact
- Voltage: 60V

**Mechanical Specifications:**

- Durability: 10,000 cycles min.



For quantities greater than listed, call for quote.

| MOUSER STOCK NO. | No. of Contacts | Mounting Type | Dimensions: mm |       |      | Price Each |      |     |
|------------------|-----------------|---------------|----------------|-------|------|------------|------|-----|
|                  |                 |               | A              | B     | C    | 1          | 10   | 50  |
| 652-70AAJ-2-F0   | 2               | SMD           | 4.98           | 10.00 | 1.27 | .50        | .45  | .40 |
| 652-70AAJ-3-F0   | 3               | SMD           | 7.52           | 10.00 | 1.27 | .75        | .68  | .60 |
| 652-70AAJ-4-F0   | 4               | SMD           | 10.06          | 10.00 | 1.27 | .90        | .81  | .72 |
| 652-70AAJ-6-F0   | 6               | SMD           | 15.14          | 10.00 | 1.27 | 1.18       | 1.06 | .94 |
| 652-70AAJ-6-F1   | 6               | SMD           | 15.14          | 10.00 | 1.27 | 1.18       | 1.06 | .94 |

## 70AD / MALE - 70ADJ

**Material:**

- Insulator: Glass reinforced thermoplastic, UL 94V-0 rated, black
- Contact: Copper alloy
- Meets MIL-STD-202, method 208

**Features:**

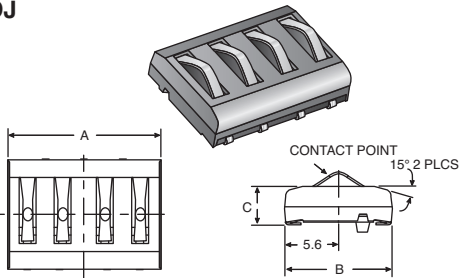
- Low profile
- Rugged design
- Vertical or horizontal entry

**Electrical Specifications:**

- Current rating: DC 3A/contact
- Voltage: DC 30V

**Mechanical Specifications:**

- Normal Force: 100 grams min.
- Durability: 5,000 cycles



For quantities greater than listed, call for quote.

| MOUSER STOCK NO. | No. of Contacts | Mounting Type | Dimensions: mm |      |     | Price Each |      |      |
|------------------|-----------------|---------------|----------------|------|-----|------------|------|------|
|                  |                 |               | A              | B    | C   | 1          | 10   | 50   |
| 652-70ADJ-2-ML0  | 2               | SMD           | 7.7            | 11.2 | 4.0 | 1.30       | 1.01 | .75  |
| 652-70ADJ-2-ML1  | 2               | SMD           | 7.7            | 11.2 | 4.0 | 2.08       | 1.82 | 1.56 |
| 652-70ADJ-3-ML0  | 3               | SMD           | 11.7           | 11.2 | 4.0 | 1.63       | 1.30 | .94  |
| 652-70ADJ-4-ML0  | 4               | SMD           | 15.7           | 11.2 | 4.0 | 2.03       | 1.62 | 1.17 |
| 652-70ADJ-4-ML1  | 4               | SMD           | 15.7           | 11.2 | 4.0 | 3.24       | 2.84 | 2.43 |
| 652-70ADJ-5-ML0  | 5               | SMD           | 19.7           | 11.2 | 4.0 | 2.45       | 1.96 | 1.42 |
| 652-70ADJ-5-ML1  | 5               | SMD           | 19.7           | 11.2 | 4.0 | 3.92       | 3.43 | 2.94 |
| 652-70ADJ-6-ML0  | 6               | SMD           | 23.7           | 11.2 | 4.0 | 2.85       | 2.28 | 1.65 |
| 652-70ADJ-6-ML1  | 6               | SMD           | 23.7           | 11.2 | 4.0 | 2.85       | 2.28 | 1.65 |

## 70AD / FEMALE - 70ADJ

**Material:**

- Insulator: Glass reinforced thermoplastic, UL 94V-0 rated, black
- Contact: Copper alloy
- Meets MIL-STD-202, method 208

**Features:**

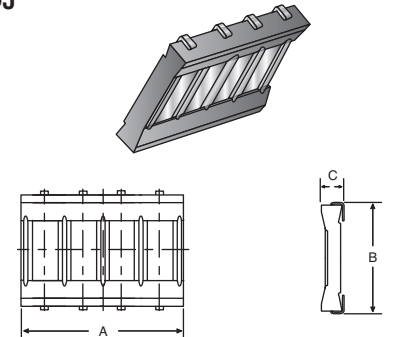
- Rechargeable battery-pack applications
- Precious metal contacts

**Electrical Specifications:**

- Current rating: DC 3A/contact
- Voltage: DC 30V

**Mechanical Specifications:**

- Durability: 5,000 cycles



For quantities greater than listed, call for quote.

| MOUSER STOCK NO. | No. of Contacts | Mounting Type | Dimensions: mm |      |     | Price Each |      |      |
|------------------|-----------------|---------------|----------------|------|-----|------------|------|------|
|                  |                 |               | A              | B    | C   | 1          | 10   | 50   |
| 652-70ADJ-2-FLO  | 2               | SMD           | 9.0            | 11.6 | 2.3 | 1.23       | .98  | .71  |
| 652-70ADJ-2-FL1  | 2               | SMD           | 9.0            | 11.6 | 2.3 | 1.96       | 1.72 | 1.47 |
| 652-70ADJ-3-FLO  | 3               | SMD           | 13.0           | 11.6 | 2.3 | 1.45       | 1.16 | .84  |
| 652-70ADJ-4-FLO  | 4               | SMD           | 17.0           | 11.6 | 2.3 | 1.83       | 1.46 | 1.06 |
| 652-70ADJ-5-FL1  | 5               | SMD           | 21.0           | 11.6 | 2.3 | 3.48       | 3.05 | 2.61 |
| 652-70ADJ-6-FL1  | 6               | SMD           | 25.0           | 11.6 | 2.3 | 4.08       | 3.57 | 3.06 |

## 70AD / MALE - 70ADH

**Material:**

- Insulator: Glass reinforced thermoplastic, UL 94V-0 rated, black
- Contact: Copper alloy
- Meets MIL-STD-202, method 208

**Features:**

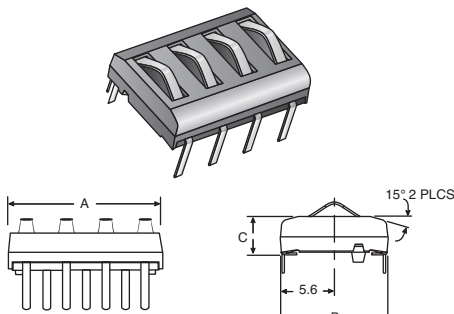
- Low profile
- Rugged design
- Vertical or horizontal entry

**Electrical Specifications:**

- Current rating: DC 3A/contact
- Voltage: DC 30V

**Mechanical Specifications:**

- Normal Force: 100 grams min
- Durability: 5,000 cycles



For quantities greater than listed, call for quote.

| MOUSER STOCK NO. | No. of Contacts | Mounting Type | Dimensions: mm |      |     | Price Each |      |      |
|------------------|-----------------|---------------|----------------|------|-----|------------|------|------|
|                  |                 |               | A              | B    | C   | 1          | 10   | 50   |
| 652-70ADH-2-ML0  | 2               | PC pin        | 7.7            | 11.2 | 4.0 | 1.30       | 1.04 | .75  |
| 652-70ADH-3-ML0  | 3               | PC pin        | 11.7           | 11.2 | 4.0 | 1.63       | 1.30 | .94  |
| 652-70ADH-4-ML0  | 4               | PC pin        | 15.7           | 11.2 | 4.0 | 2.03       | 1.62 | 1.17 |
| 652-70ADH-5-ML0  | 5               | PC pin        | 19.7           | 11.2 | 4.0 | 2.03       | 1.62 | 1.17 |
| 652-70ADH-6-ML0  | 6               | PC pin        | 23.7           | 11.2 | 4.0 | 2.85       | 2.28 | 1.65 |

## 70AD / FEMALE - 70ADH

**Material:**

- Insulator: Glass reinforced thermoplastic, UL 94V-0 rated, black
- Contact: Copper alloy
- Meets MIL-STD-202, method 208

**Features:**

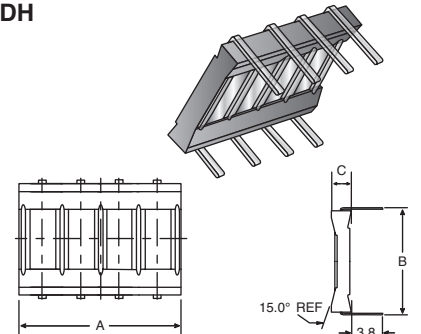
- Rechargeable battery-pack applications
- Precious metal contacts

**Electrical Specifications:**

- Current rating: DC 3A/contact
- Voltage: DC 30V

**Mechanical Specifications:**

- Durability: 5,000 cycles



For quantities greater than listed, call for quote.

| MOUSER STOCK NO. | No. of Contacts | Mounting Type | Dimensions: mm |      |      | Price Each |      |      |
|------------------|-----------------|---------------|----------------|------|------|------------|------|------|
|                  |                 |               | A              | B    | C    | 1          | 10   | 50   |
| 652-70ADH-2-FLO  | 2               | PC pin        | 9.0            | 11.6 | 2.08 | 1.23       | .98  | .71  |
| 652-70ADH-3-FLO  | 3               | PC pin        | 13.0           | 11.6 | 2.08 | 1.45       | 1.16 | .84  |
| 652-70ADH-4-FLO  | 4               | PC pin        | 17.0           | 11.6 | 2.08 | 1.83       | 1.46 | 1.06 |
| 652-70ADH-5-FLO  | 5               | PC pin        | 21.0           | 11.6 | 2.08 | 2.18       | 1.74 | 1.26 |
| 652-70ADH-6-FLO  | 6               | PC pin        | 25.0           | 11.6 | 2.08 | 2.55       | 2.04 | 1.48 |

Bourns Battery Holders