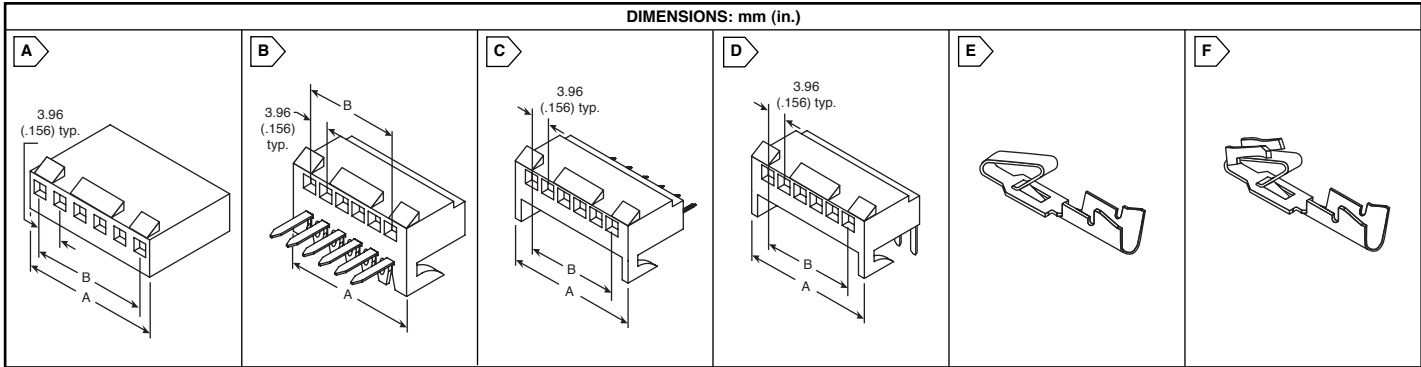


MOLEX KK® Series (.156")

molex
one company a world of innovation

DIMENSIONS: mm (in.)



.156" CRIMP TERMINAL HOUSINGS

- Voltage: 250V AC Max.
- Current: Phosphor Bronze-7.0A max.; Brass-5.0A max.
- Temperature: 0 to +75°C
- RoHS compliant per Molex documentation



RoHS Compliant

For quantities of 1000 and up, call for quote.

MOUSER STOCK NO.	Molex Part No.	Fig.	No. of Circuits	Dimen. (mm)		Price Each			
				A	B	1	10	100	500
With Locking Ramp UL94V-2, Nylon									
538-09-50-3021	09-50-3021	A	2	7.92	3.96	.11	.10	.09	.08
538-09-50-3031	09-50-3031	A	3	11.79	7.92	.13	.12	.11	.10
538-09-50-3041	09-50-3041	A	4	15.75	11.89	.22	.20	.15	.11
538-09-50-3051	09-50-3051	A	5	19.71	15.85	.28	.26	.23	.17
538-09-50-3061	09-50-3061	A	6	23.67	19.81	.34	.31	.27	.19
538-09-50-3071	09-50-3071	A	7	27.64	23.77	.39	.36	.31	.22
538-09-50-3081	09-50-3081	A	8	31.60	27.74	.45	.41	.37	.26
538-09-50-3091	09-50-3091	A	9	35.56	31.70	.64	.56	.37	.30
538-09-50-3101	09-50-3101	A	10	39.52	35.66	.72	.63	.42	.33
538-09-50-3111	09-50-3111	A	11	43.48	39.62	.76	.67	.44	.35
538-09-50-3121	09-50-3121	A	12	47.45	43.59	.84	.74	.49	.39
Without Locking Ramp UL94V-2, Nylon									
538-09-50-7021	09-50-7021	A	2	7.92	3.96	.12	.11	.10	.09
538-09-50-7031	09-50-7031	A	3	11.79	7.92	.22	.20	.18	.13
538-09-50-7041	09-50-7041	A	4	15.75	11.89	.22	.20	.18	.13
538-09-50-7051	09-50-7051	A	5	19.71	15.85	.28	.26	.23	.17
538-09-50-7061	09-50-7061	A	6	23.67	19.81	.34	.31	.28	.20
538-09-50-7071	09-50-7071	A	7	27.64	23.77	.34	.31	.28	.20
538-09-50-7081	09-50-7081	A	8	31.60	27.74	.77	.24	.22	.20
538-09-50-7091	09-50-7091	A	9	35.56	31.70	.55	.50	.45	.32
538-09-50-7101	09-50-7101	A	10	39.52	35.66	.63	.57	.52	.37
538-09-50-7111	09-50-7111	A	11	43.48	39.62	.45	.38	.35	.33

MOUSER STOCK NO.	Molex Part No.	Fig.	No. of Circuits	Dimen. (mm)		Price Each			
				A	B	1	10	100	500
With Locking Ramp and Polarizing Ribs UL94V-0, Polyester									
538-09-50-8023	09-50-8023	A	2	8.79	3.96	.23	.19	.13	.11
538-09-50-8033	09-50-8033	A	3	12.75	7.92	.31	.27	.18	.14
538-09-50-8043	09-50-8043	A	4	16.71	11.89	.37	.33	.22	.17
538-09-50-8053	09-50-8053	A	5	20.67	15.85	.45	.36	.26	.21
538-09-50-8063	09-50-8063	A	6	24.64	19.81	.51	.45	.30	.24
538-09-50-8073	09-50-8073	A	7	28.60	23.77	.59	.51	.34	.27
538-09-50-8083	09-50-8083	A	8	32.56	27.74	.65	.57	.38	.36
538-09-50-8093	09-50-8093	A	9	36.53	31.70	.72	.63	.42	.33
538-09-50-8103	09-50-8103	A	10	40.49	35.66	.79	.69	.46	.37
538-09-50-8113	09-50-8113	A	11	44.45	39.62	.86	.76	.50	.40
538-09-50-8123	09-50-8123	A	12	48.41	43.59	.93	.82	.54	.43
With Locking Ramp UL94V-0, Polyester									
538-09-50-8021	09-50-8021	A	2	8.79	3.96	.22	.18	.13	.10
538-09-50-8031	09-50-8031	A	3	12.75	7.92	.29	.24	.17	.13
538-09-50-8041	09-50-8041	A	4	16.71	11.89	.36	.31	.20	.16
538-09-50-8051	09-50-8051	A	5	20.67	15.85	.42	.37	.24	.19
538-09-50-8061	09-50-8061	A	6	24.64	19.81	.48	.42	.28	.22
538-09-50-8071	09-50-8071	A	7	28.60	23.77	.56	.49	.32	.26
538-09-50-8081	09-50-8081	A	8	32.56	27.74	.62	.54	.36	.29
538-09-50-8091	09-50-8091	A	9	36.53	31.70	.68	.60	.40	.32
538-09-50-8101	09-50-8101	A	10	40.49	35.66	.75	.65	.43	.35
538-09-50-8111	09-50-8111	A	11	44.45	39.62	.81	.71	.47	.38
538-09-50-8121	09-50-8121	A	12	48.41	43.59	.88	.77	.51	.41

Molex Rectangular Connectors

.156" PCB RECEPTACLES • Tin Plated

For quantities of 1000 and up, call for quote.

MOUSER STOCK NO.	Molex Part No.	Fig.	No. of Circuits	Dimen. (mm)		Price Each			
				A	B	1	10	100	500
Bottom Entry									
538-09-52-3032	09-52-3032	B	3	11.79	7.92	.59	.48	.59	.30
538-09-52-3042	09-52-3042	B	4	15.75	11.89	.74	.66	.74	.54
538-09-52-3052	09-52-3052	B	5	19.71	15.85	.84	.73	.84	.41
538-09-52-3062	09-52-3062	B	6	23.67	19.81	.98	.86	.98	.46
538-09-52-3072	09-52-3072	B	7	27.64	23.77	1.25	1.10	1.25	.58
538-09-52-3082	09-52-3082	B	8	31.60	27.74	1.29	1.13	1.29	.67
538-09-52-3102	09-52-3102	B	10	39.52	35.66	1.52	1.33	1.52	.71
538-09-52-3122	09-52-3122	B	12	47.75	43.59	1.83	1.61	1.83	.86
Top Entry									
538-09-52-3033	09-52-3033	C	3	11.79	7.92	.52	.45	.52	.27
538-09-52-3043	09-52-3043	C	4	15.75	11.89	.60	.52	.60	.28
538-09-52-3053	09-52-3053	C	5	19.71	15.85	.80	.70	.80	.37
538-09-52-3063	09-52-3063	C	6	23.67	19.81	.97	.88	.97	.70
538-09-52-3073	09-52-3073	C	7	27.64	23.77	1.09	.96	1.09	.51
538-09-52-3083	09-52-3083	C	8	31.60	27.74	1.15	1.01	1.15	.54
538-09-52-3093	09-52-3093	C	9	35.56	31.70	1.19	1.05	1.19	.58

For quantities of 1000 and up, call for quote.

MOUSER STOCK NO.	Molex Part No.	Fig.	No. of Circuits	Dimen. (mm)		Price Each			
				A	B	1	10	100	500
Top Entry (Cont.)									
538-09-52-3103	09-52-3103	C	10	39.52	35.66	1.44	1.27	1.44	.67
538-09-52-3113	09-52-3113	C	11	43.48	39.62	1.75	1.54	1.75	.82
538-09-52-3123	09-52-3123	C	12	47.75	43.59	1.75	1.54	1.75	.82
Side Entry									
538-09-52-3021	09-52-3021	D	2	7.82	3.96	.52	.42	.52	.24
538-09-52-3031	09-52-3031	D	3	11.79	7.92	.52	.42	.52	.24
538-09-52-3041	09-52-3041	D	4	15.75	11.89	.65	.55	.65	.37
538-09-52-3051	09-52-3051	D	5	19.71	15.85	.72	.59	.72	.33
538-09-52-3061	09-52-3061	D	6	23.67	19.81	.94	.83	.94	.44
538-09-52-3071	09-52-3071	D	7	27.64	23.77	.95	.84	.95	.45
538-09-52-3081	09-52-3081	D	8	31.60	27.74	1.18	1.04	1.18	.55
538-09-52-3091	09-52-3091	D	9	35.56	31.70	1.33	1.17	1.33	.62
538-09-52-3101	09-52-3101	D	10	39.52	35.66	1.48	1.30	1.48	.69
538-09-52-3111	09-52-3111	D	11	43.48	39.62	1.75	1.54	1.75	.82
538-09-52-3121	09-52-3121	D	12	47.75	43.59	1.75	1.54	1.75	.82

.156" CRIMP TERMINALS

- Temperature: Phosphor Bronze: 0 to +75°C; Brass: 0 to +50°C
- Current: 5.0A max. using 18 AWG wire

MOUSER STOCK NO.	Molex Part No.	Fig.	No. of Circuits	Material	Plating	Price Each		
						1	100	500
538-08-50-0106	08-50-0106	E	18-20	Brass	Tin	.08	.06	.08
538-08-52-0072	08-52-0072	E	18-20	Ph Bz	Tin	.08	.06	.08
538-08-50-0108	08-50-0108	E	22-26	Brass	Tin	.06	.05	.06
538-08-50-0134	08-50-0134	E	22-26	Ph Bz	Tin	.06	.05	.06
538-08-56-0106	08-56-0106	E	18-20	Brass	Gold	.45	.37	.45
538-08-58-0122	08-58-0122	E	18-20	Ph Bz	Gold	.66	.53	.66
538-08-56-0108	08-56-0108	E	22-26	Brass	Gold	.64	.51	.64
538-08-58-0126	08-58-0126	E	22-26	Ph Bz	Gold	.66	.53	.66
538-08-52-0113	08-52-0113	F	18-20	Ph Bz	Tin	.10	.09	.10
538-08-50-0189	08-50-0189	F	18-20	Brass	Tin	.08	.06	.08
538-08-52-0125	08-52-0125	F	22-26	Ph Bz	Tin	.08	.06	.08
538-08-50-0185	08-50-0185	F	22-26	Brass	Tin	.08	.06	.08
538-08-56-0124	08-56-0124	F	22-26	Ph Bz	Gold	.60	.50	.60

POLARIZING KEYS AND PEGS

- Snap fit into housings
- RoHS compliant per Molex documentation



RoHS Compliant

MOUSER STOCK NO.	Molex Part No.	Description	Price Each		
			1	100	500
538-15-04-0219	15-04-0219	Key	.23	.20	.13
538-15-04-0220	15-04-0220	Peg	.23	.20	.13

- Includes: connectors, crimp tool, extraction tool, and storage case

DESIGNER/SERVICE KITS

MOUSER STOCK NO.	Molex Part No.	Description	Price Each
538-KK-156	KK-156	.156", 96 connectors	46.71

TOOLS

For quantities of 5 and up, call for quote.

MOUSER STOCK NO.	Molex Part No.	Description	Price Each
------------------	----------------	-------------	------------