

E-SWITCH Rocker Switches



E-SWITCH® RA1066 SERIES ROCKER SWITCHES

Specifications:

- Contact resistance: 100mΩ max
- Dielectric strength: AC2000V for one minute
- Operating force: 400 ± 200gf

Features:

- Black matte finish
- Contact material: silver plated copper alloy
- Contact rating: 10A @125VAC/5A @250VAC



For quantities of 500 and up, call for quote.

MOUSER STOCK NO.	E-Switch Part No.	Fig.	Type	Circuit	Terminal	Price Each			
						1	10	50	100
612-RA1066AFC	RA1066AFC	A	SPST	On-Off	Faston	1.59	1.46	1.40	1.33
612-RA1066AFF	RA1066AFF	B	SPST	On-Off	Faston	1.59	1.46	1.40	1.33
612-RA1066AFK	RA1066AFK	C	SPST	On-Off	Faston	1.59	1.46	1.40	1.33
612-RA1066AFH	RA1066AFH	D	SPST	On-Off	Faston	1.59	1.46	1.40	1.33
612-RA1066AFX	RA1066AFX	E	SPST	On-Off	Faston	1.59	1.46	1.40	1.33

E-SWITCH® R1966 SERIES ROCKER SWITCHES

Specifications:

- Contact resistance: <10 mΩ
- Rating: 15A @ 125V
- Dielectric strength: >1500V for one minute, >3000V between poles
- Electric life: 10,000 cycle
- Mechanical life: 15,000 cycles
- Insulation resistance: >1,000 MΩ
- Contact form: SPST

Features:

- Black semi-gloss finish
- Contact material: coin silver, silver plated
- terminal material: silver plated copper alloy



For quantities of 500 and up, call for quote.

MOUSER STOCK NO.	E-Switch Part No.	Fig.	Circuit	Housing	Actuator	Price Each			
						1	10	50	100
Faston Terminal									
612-R1966ABKBKEF	R1966ABLKBLKEF	F	On-Off	Black	Black	1.25	1.10	.95	.85
612-R1966FBKBKEF	R1966FBLKBLKEF	F	(On)-Off	Black	Black	1.59	1.46	1.40	1.33
612-R1966ABLKBLKIF	R1966ABLKBLKIF	G	On-Off	Black	Black	1.25	1.10	.95	.85
612-R1966ABKBKFF	R1966ABLKBLKFF	H	On-Off	Black	Black	1.25	1.10	.95	.85
612-R1966AGYGYFF	R1966AGRYGRYFF	H	On-Off	Gray	Gray	1.25	1.10	.95	.85
612-R1966AWTWTFF	R1966AWHTWHTFF	H	On-Off	White	White	1.25	1.10	.95	.85
612-R1966ABKBKGF	R1966ABLKBLKGF	I	On-Off	Black	Black	1.25	1.10	.95	.85
612-R1966AGYGYGF	R1966AGRYGRYGF	I	On-Off	Gray	Gray	1.25	1.10	.95	.85
612-R1966AWTWTGF	R1966AWHTWHTGF	I	On-Off	White	White	1.25	1.10	.95	.85
612-R1966DBKBKCF	R1966DBLKBKCF	J	On-Off-On	Black	Black	2.03	1.82	1.59	1.44
Solder Terminal									
612-R1966ABLKBLKES	R1966ABLKBLKES	F	On-Off	Black	Black	1.25	1.10	.95	.85
612-R1966ABKBKIS	R1966ABLKBLKIS	G	On-Off	Black	Black	1.25	1.10	.95	.85
612-R1966ABKBKFS	R1966ABLKBLKFS	H	On-Off	Black	Black	1.25	1.10	.95	.85
612-R1966ABKBKGS	R1966ABLKBLKGS	I	On-Off	Black	Black	1.25	1.10	.95	.85
R/A PCB Terminal									
612-R1966ABKBKFR	R1966ABLKBLKFR	K	On-Off	Black	Black	2.32	2.06	1.80	1.63
612-R1966ABKBKGR	R1966ABLKBLKGR	L	On-Off	Black	Black	2.32	2.06	1.80	1.63

* Contact form: SPDT

E-SWITCH® R1966 SERIES ILLUMINATED ROCKER SWITCHES

Specifications:

- Contact resistance: <10 mΩ
- Rating: 15A @ 125V
- Dielectric strength: >1500V for one minute, >3000V between poles
- Electric life: 10,000 cycles
- Mechanical life: 15,000 cycles
- Insulation resistance: >1,00 MΩ
- Contact form: SPST

Features:

- Contact material: coin silver, silver plated
- Terminal material: Silver plated copper alloy



For quantities of 500 and up, call for quote.

MOUSER STOCK NO.	E-Switch Part No.	Fig.	Circuit	LED Color	Terminal	Price Each			
						1	10	50	100
612-R1966ABKBKEFR	R1966ABLKBLKEFR	M	On-Off	Red	Faston	2.32	2.06	1.80	1.63
612-R1966ABKBKEFG	R1966ABLKBLKEFRN	M	On-Off	Green	Faston	2.32	2.06	1.80	1.63
612-R1966ABKBKEFY	R1966ABLKBLKEFYEL	M	On-Off	Yellow	Faston	2.32	2.06	1.80	1.63
612-R1966ABKBKESR	R1966ABLKBLKESRED	M	On-Off	Red	Solder	2.32	2.06	1.80	1.63
612-R1966ABKBKESG	R1966ABLKBLKESGRN	M	On-Off	Green	Solder	2.32	2.06	1.80	1.63
612-R1966ABKBKESY	R1966ABLKBLKESYEL	M	On-Off	Yellow	Solder	2.32	2.06	1.80	1.63
612-R1966ABKBKER	R1966ABLKBLKERRED	M	On-Off	Red	R/A PCB	3.22	2.96	2.50	1.93

E-SWITCH® R6 SERIES MINI ROCKER SWITCHES

Specifications:

- Contact resistance: <20 mΩ (initial)
- Contact rating: 10A @ 125V, 6A @250VAC
- Dielectric strength: >1500V for one minute (Initial), >3000V between poles
- Electric life: ≥10,000 cycles
- Mechanical life: ≥50,000 cycles
- Contact form: SPST

Features:

- Contact material: coin silver, silver plated
- Terminal material: Silver plated copper alloy
- Black housing
- Black actuator



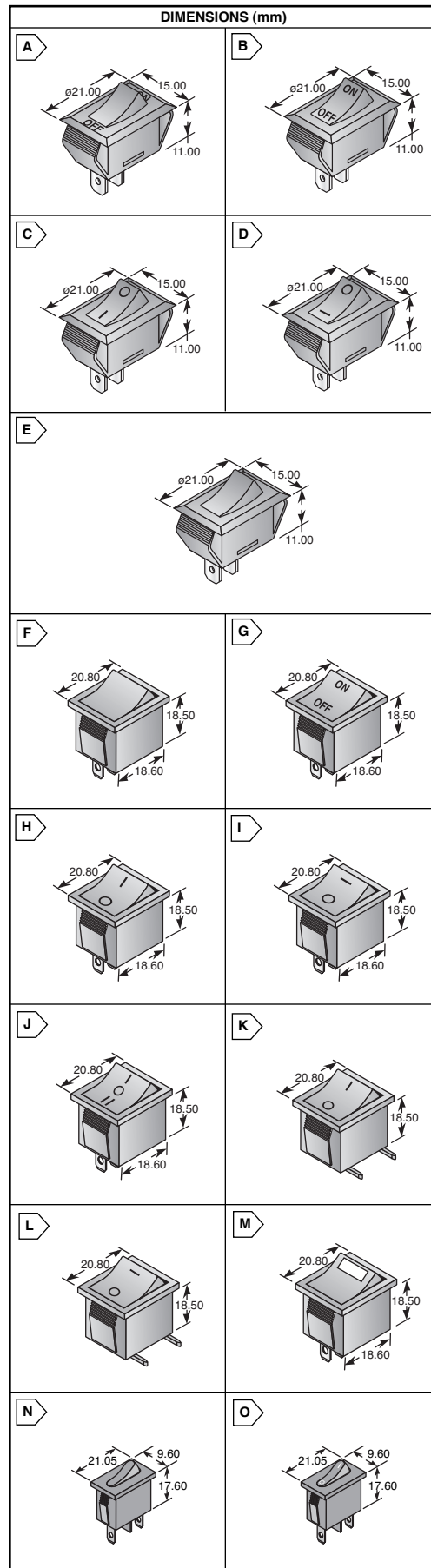
For quantities of 500 and up, call for quote.

MOUSER STOCK NO.	E-Switch Part No.	Fig.	Type	Circuit	Termination	Price Each			
						1	10	50	100
612-R6ABLKBLKEF	R6ABLKBLKEF	N	SPST	On-Off	Faston	1.65	1.49	1.42	1.26
612-R6ABLKBLKFF	R6ABLKBLKFF	O	SPST	On-Off	Faston	1.65	1.49	1.42	1.26

Catalog #624, November 2005 - January 2006
© Copyright 2005 Mouser Electronics



Catalog #624, November 2005 - January 2006
© Copyright 2005 Mouser Electronics



E-Switch
Rocker Switches