

Rocker Switches

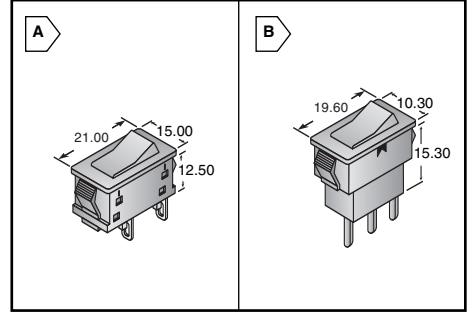
APM APPLIANCE STYLE ROCKER SWITCHES



DIMENSIONS (IN.)

For quantities of 1000 and up, call for quote.

MOUSER STOCK NO.	Apem Part No.	Fig.	Function	Terminal	Price Each			
					1	25	100	500
642-FMC12A220	FMC12A220	A	SPST On - Off	Solder	0.92	0.88	0.82	0.77
642-FMC32A220	FMC32A220	A	SPST Off - (Mom)	Solder	1.86	1.75	1.65	1.56
642-FMC62A220	FMC62A220	A	SPDT On - On	Solder	1.14	1.07	1.01	0.95
642-FML18A276A0	FML18A276A0	A	SPST On - Off Illum. Red	Quick-connect	2.12	2.01	1.89	1.77
642-FMC92A220	FMC92A220	A	SPDT On Off On	PC	1.23	1.16	1.09	1.02
642-AS36S010010	AS36S010010	B	SPDT On - On	Solder	2.23	2.11	1.98	1.86
642-AS39S010010	AS39S010010	B	SPDT On - Off - On	Solder	2.15	2.03	1.91	1.80
642-AS37S010010	AS37S010010	B	SPDT (Mom) - Off - (Mom)	Solder	2.60	2.45	2.31	2.16
642-AS36P0	AS36P0	B	SPDT On - On	PC	1.95	1.84	1.73	1.62
642-AS39P0	AS39P0	B	SPDT On - Off - On	PC	2.15	2.03	1.91	1.80

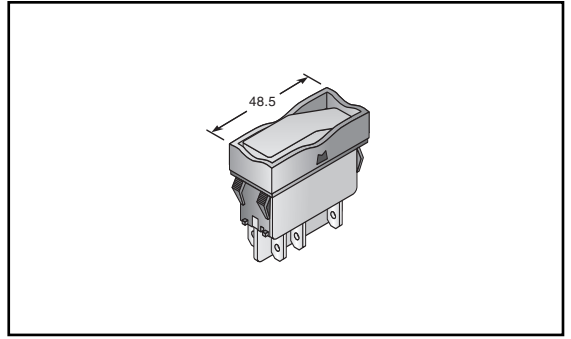


APM POWER ROCKER SWITCHES

DIMENSIONS (IN.)

For quantities of 1000 and up, call for quote.

MOUSER STOCK NO.	Apem Part No.	Function	Price Each			
			1	25	100	500
Non-Illuminated						
642-KG312A2XXA21	KG312A2XXA21	SPST On - Off	4.12	3.89	3.66	3.44
642-KG362A2XXA21	KG362A2XXA21	SPDT On - On	6.05	5.71	5.38	5.04
642-KG372A2XXA21	KG372A2XXA21	SPDT (Mom) - Off (Mom)	8.32	7.85	7.39	6.93
642-KG412A2XXA21	KG412A2XXA21	DPST On - Off	4.57	4.32	4.06	3.81
642-KG452A2XXA21	KG452A2XXA21	DPDT (Mom) - On	9.62	9.09	8.55	8.02
642-KG462A2XXA21	KG462A2XXA21	DPDT On - On	7.67	7.25	6.82	6.39
Illuminated - Red lens - 12V Red L.E.D.						
642-KG312A2DXA246	KG312A2DXA246	SPST On - Off	8.98	8.48	7.98	7.48
642-KG352A2DXA246	KG352A2DXA246	SPDT (Mom) - On	11.30	10.67	10.05	9.42
642-KG362A2DXA246	KG362A2DXA246	SPDT On - On	8.98	8.48	7.98	7.48
642-KG412A2DXD246	KG412A2DXD246	DPST On - Off	8.10	7.65	7.20	6.75
642-KG452A2DXA246	KG452A2DXA246	DPDT (Mom) - On	12.51	11.82	11.12	10.43
642-KG462A2DXA246	KG462A2DXA246	DPDT On - On	10.66	10.07	9.48	8.88



Carling Technologies V SERIES: CONTURA SEALED ROCKER SWITCHES



DIMENSIONS (IN.)

Flexibility of options with interchangeable actuators (sold separately below)

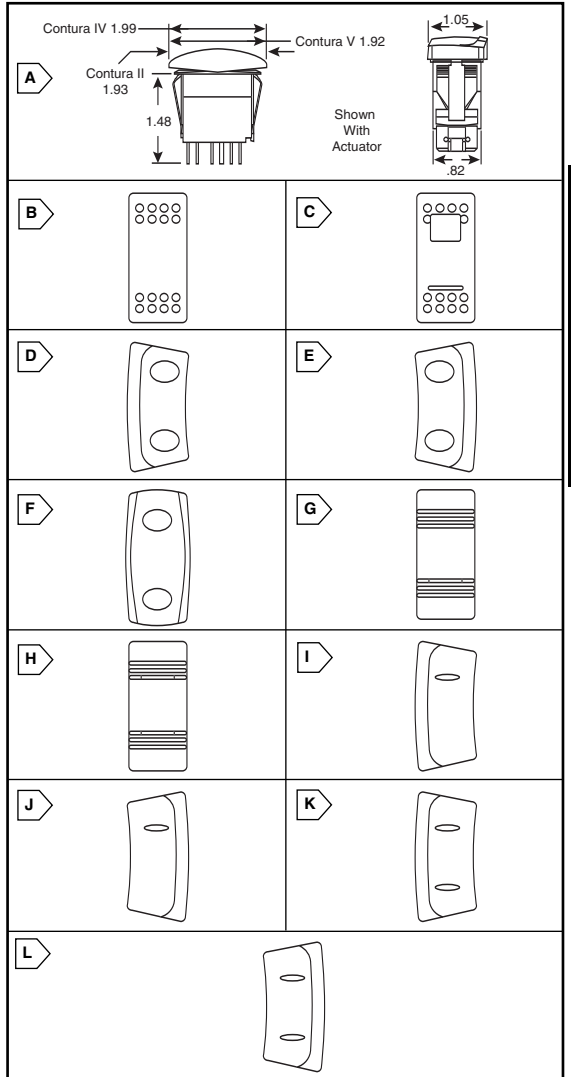
For quantities of 250 and up, call for quote.

Specifications:

- IP66/IP68 certified
- Meet UL1500/ISO8846 for ignition protection
- Temperature range: 40°C to +85°C
- Rating: 20A @ 12VDC
- Termination: 10 terminals, .250 QC without barriers

() Momentary

MOUSER STOCK NO.	Carling Technologies Part No.	Fig.	Contact Form	Circuit	Price Each			
					1	25	50	100
Switch Body Only, No Lamps								
691-V2D2S00B	V2D2S00B-00000-000	A	SPST	(ON)-OFF	4.14	2.99	2.74	2.49
Actuators for Switches With No Lamps or LEDs								
691-VVAZC	VVAZC00-000	B	Black, hard, raised bumps each end		1.03	.82	.72	.64
691-VVAZB	VVAZB00-000	B	Black, soft, raised bumps each end		1.65	1.32	1.16	1.02
Switch Body Only With 1 12V Amber LED and 1 12V Superbright Green LED								
691-V1D2GHNB	V1D2GHNB-00000-000	A	SPST	ON-OFF	9.14	6.59	6.04	5.49
691-V2D2GHNB	V2D2GHNB-00000-000	A	SPST	(ON)-OFF	9.60	6.91	6.34	5.76
691-VGD2GHNB	VGD2GHNB-00000-000	A	SPDT	OFF-ON-ON	12.39	8.93	8.18	7.44
691-V4D2GHNB	V4D2GHNB-00000-000	A	SPST	ON-ON	9.72	7.00	6.42	5.84
691-V6D2GHNB	V6D2GHNB-00000-000	A	SPDT	ON-OFF-ON	9.72	7.00	6.42	5.84
691-VED2GHNB	VED2GHNB-00000-000	A	SPDT	ON-ON-ON	13.26	9.54	8.75	7.95
691-V8D2GHNB	V8D2UHNB-00000-000	A	SPDT	(ON)-OFF-(ON)	10.31	7.42	6.80	6.18
691-VLD2GHNB	VLD2GHNB-00000-000	A	DPDT	(ON)-OFF-(ON)	12.78	9.20	8.43	7.67
Actuators for Switches With LEDs								
691-VVAAC	VVAAC00-000	C	Contura II, Black w/ white square lens, white bar		1.03	.82	.72	.64
691-VVEAC	VVEAC00-000	D	Contura IV, Black w/ white dual round lenses		1.11	.88	.77	.68
691-VVFAC	VVFAC00-000	E	Contura IV, Black w/ white dual round lenses		1.11	.88	.77	.68
691-VVGAC	VVGAC00-000	F	Contura V, Black w/ white dual round lenses		1.11	.88	.77	.68
Switch Body Only With 1 12V Incandescent Lamp								
691-V1D2B60B	V1D2B60B-00000-000	A	SPST	ON-OFF	5.33	3.83	3.51	3.20
691-V8D2B60B	V8D2B60B-00000-000	A	SPDT	(ON)-OFF-(ON)	6.50	4.68	4.29	3.90
Switch Body Only With 2 12V Incandescent Lamps								
691-V4D2D66B	V4D2D66B-00000-000	A	SPST	ON-ON	7.56	5.44	4.98	4.53
691-V6D2D66B	V6D2D66B-00000-000	A	SPDT	ON-OFF-ON	7.56	5.44	4.98	4.53
Actuators for Switches With Incandescent Lamps								
691-VVCMC	VVCMC00-000	G	Contura III, Red bar lens one end		1.03	.82	.72	.64
691-VVCNC	VVCNC00-000	H	Contura III, 2 red bar lenses, 1 each end		1.03	.82	.72	.64
691-VVEMC	VVEMC00-000	I	Contura IV, Red bar lens one end		1.11	.88	.77	.68
691-VVFMC	VVFMC00-000	J	Contura IV, Red bar lens one end		1.11	.88	.77	.68
691-VVENC	VVENC00-000	K	Contura IV, 2 red bar lenses, 1 each end		1.11	.88	.77	.68
691-VVFNC	VVFNC00-000	L	Contura IV, 2 red bar lenses, 1 each end		1.11	.88	.77	.68
Tools and Accessories for Contura Switches								
691-VRT	VRT	Actuator removal tool			2.40	2.16	1.92	1.68
691-VPS-01	VPS-01	Panel seal			.82	.66	.59	.52
691-VC1-01	VC1-01	10 terminal connector			1.00	.80	.70	.62
691-VH2-01	VH2-01	Hole plug			1.25	1.00	.90	.80
691-VM3-01	VM3-01	3-gang mounting bracket			3.75	3.00	2.70	2.40



Rocker Switches