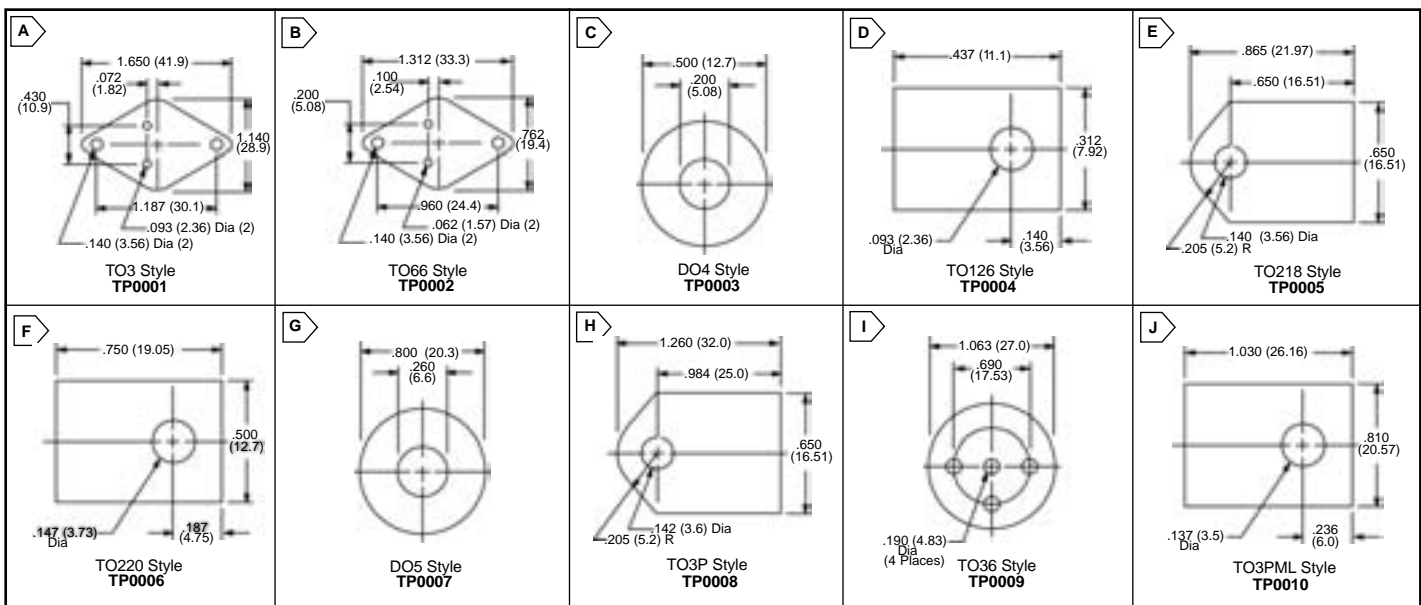




Design Software



NTE THERMO-PADS

NTE's THERMO-PADS do away with the old fashioned mica wafer and conductive grease method of mounting power semiconductors. These thermally conductive insulators offer low heat transfer resistance while still providing high electrical isolation between the parts of the assembly. The elastomeric material combines the electrical isolation of rigid insulators with the ability to conform to rough surfaces and reduce contact resistance in much the same manner as thermal grease. Proper selection and use of these THERMO-PADS results in a securely-mounted power semiconductor and minimum resistance to the heat transfer between it and the heat sink.

Features:

- Color: .009 Inch Thickness-Gray; Test Method-Visual.
- Breaking Strength Lbs./Inch: .009 Inch Thickness-100; Test Method-ASTM D 1458.
- Elongation, Percent: .009 Inch Thickness-4; Test Method-ASTM D 412.
- Volume Resistance Ohm Meter Minimum Normal: .009 Inch Thickness- 1.0 X 10¹³; Test Method--ASTM D 257.
- Volume Resistance Ohm Meter Minimum Moist: .009 Inch Thickness-1.5 x 10¹⁰; Test Method-ASTM D 257.
- Breakdown Voltage Minimum Normal: .009 Inch Thickness-5000; Test Method-ASTM D 149.
- Breakdown Voltage Minimum Moist: .009 Inch Thickness-2500; Test Method-ASTM D 149.
- Dielectric Constant 1000 Cups (Hz): .009 Inch Thickness-5.5; Test Method-ASTM D 150.
- Continuous Use Temperature: .009 Inch Thickness- -60° to +180°C.
- Thermal Conductance: .009 Inch Thickness- 0.7W/m-k.
- Thermal Vacuum Weight Loss Percent (TML) Maximum as Manufactured: .009 Inch Thickness-0.40; Test Method-NASA.
- Thermal Vacuum Weight Loss Percent (TML) Maximum Post Cure 24 Hrs. @ 400°F: .009 Inch Thickness-0.25; Test Method-SP-R- 0022A.
- Volatile Condensable Material, Percent, Maximum (CVMC) as Manufactured: .009 Inch Thickness-0.11; Test Method-NASA.
- Volatile Condensable Material, Percent, Maximum(CVMC) Post Cure 24 Hrs. @ 400°C: .009 Inch Thickness-0.07; Test Method-SP- R-0022A Hardness, Shore A: .009 Inch Thickness-85; Test Method-ASTM D 2240.
- Specific Gravity: .009 Inch Thickness-2.0-2.1. Thickness (Expressed in Inches): .009 Inch Thickness-.009 (+.002, -.001).
- Thermal Resistance (TO3 Transistor): .009 Inch Thickness-.5°C/W.

MOUSER STOCK NO.	Fig.	Per Pkg.	Price Each
			1-99
526-NTETP0001	A	5	1.13
526-NTETP0002	B	5	1.22
526-NTETP0003	C	5	.88
526-NTETP0004	D	5	.74
526-NTETP0005	E	5	1.10
526-NTETP0006	F	5	1.07
526-NTETP0007	G	5	1.10
526-NTETP0008	H	5	1.22
526-NTETP0009	I	5	1.47
526-TP0010	J	5	1.65

NTE WINDRAFT®-WINBOARD®

Install **WinDraft®** schematic design tool on your PC and in minutes you'll be designing schematics. Everything is included for wiring, drawing, printing and finishing your design. A full graphical library editor and title block editor are included. A library part may be created from scratch, shapes imported from other parts, and graphical definitions are included. A library part may be created from scratch, shapes imported from other parts, and graphical definitions can easily be edited. **WinDraft®** provides all you expect and more. User definable on-line ERC identifies problem areas in the circuit so they do not make their way into the final design. Bill of Materials (BOM), cleanup to remove overlapping wires, and annotation are included. On-line help is only a click away and includes the complete reference manual. **WinDraft®** is the ideal front end tool for our PCB layout. You can even specify track widths and isolations right in the schematic.



WinBoard® PCB layout delivers the most sophisticated interactive routing capability available for the Windows environment. It has the power needed for even complex board design, and the tools for high speed circuits, analog design and dense SMT boards. **WinBoard®** comes complete with a library of over 700 module footprints including over 350 SMT footprints. Pad stacks may be edited on-line by just double clicking on the pad. A graphical editor is included to create custom module footprints or edit existing ones. Placing multiple copper pours is as quick and easy as routing. Outputting to In-Circuit Test, NC Drill, Gerber, Pick and Place plus others is included.

MOUSER STOCK NO.	Description	Price Each
526-WD350	WinDraft®	1-99
526-WB350	WinBoard®	99.95

NTE QUICKCROSS™

Version 9 is the latest release of NTE's popular electronic cross reference software, **QUICKCROSS**. This new version contains more than 138,000 new cross references. Once loaded you will have access to cross references for over 450,000 industry semiconductors, relays and potentiometers. Other new features include: A new potentiometer/trimmer/knob and dial cross reference. Amphenol RF Interconnect selector guide. All search engines now include active links to NTE's website for full technical information on the suggested NTE replacement. Minimum systems requirements: NTE's **QUICKCROSS** CD-ROM; Windows/95/98/NT; 10 MB of free disk space.



MOUSER STOCK NO.	Description	Price Each
526-NTEQC-6/CD	NTE's QUICKCROSS for windows	4.00

The most popular NTE products are listed. Thousands of other NTE products are in stock, too many to list. Please call your local Mouser Sales Representative.